



CAT® Lift Trucks

3,000-6,500 LB CAPACITY GAS AND LP GAS CUSHION TIRE LIFT TRUCKS

Quality

Reliability

Customer Service



Our 3,000-6,500 lb capacity cushion tire lift trucks offer the quality and reliability advantages you've come to expect from Cat® lift trucks. Engineered for performance in demanding industrial and manufacturing environments like yours, these trucks feature an ergonomic, contemporary design to optimize operator comfort, and a workhorse package of travel, lift, and lowering speeds to maximize productivity.

Each of the eight models meets or exceeds stringent U.S. Environmental Protection Agency (EPA) 2004 standards for reducing CO, HC, and NOx. Assembled in Houston, Texas under ISO 9001:2000 quality procedures, these trucks come with extended 500-hour service intervals and comprehensive field support from the industry's most trusted dealer network.

MODEL NUMBER	FUEL TYPE	RATED CAPACITY (LBS.)	ENGINE DISPLACEMENT
C3000	LP Gas	3,000	2.1L
C3500	LP Gas	3,500	2.1L
CC4000	LP Gas	4,000	2.1L
C4000	Gas, LP Gas	4,000	2.5L
C5000	Gas, LP Gas	5,000	2.5L
C5500	Gas, LP Gas	5,500	2.5L
C6000	Gas, LP Gas	6,000	2.5L
C6500	Gas, LP Gas	6,500	2.5L

Everything
You've Come To Expect.



Up To Your Standards

The standard features on these lift trucks include several advanced standard features, as listed below:

- EPA-compliant pure**POWER**® engines
- Fuel Saver Mode
- Ground Speed Control
- Responsive drive-by-wire throttle control
- Multi-port fuel injection (gasoline models)
- Throttle-body fuel injection (LP models)
- Single-speed powershift transmission with hydraulic accumulator
- High-output direct-drive hydraulic pump
- Narrow mast channels
- Square fork bars
- 48 inch high load backrest extension
- Single cushion drive and steer tires
- 18 inch grab bar (overhead guard mounted)
- Open step with anti-slip plate
- Anti-slip rubber floor mat
- Full suspension vinyl fold-down seat (C4000-C6500)
- Seat hip restraint
- Anti-cinch seat belt
- Memory tilt steering column
- Cowl-mounted hydraulic levers with ergonomic knobs
- Two-pedal brake system
- Assembled to ISO 9001:2000 standards
- Heavy-duty cast drive axle
- Hydrostatic power steering with high-strength cast axle housing
- Isolating rubber mounts for engine, transmission, steer axle, hydraulic control valve, radiator, exhaust piping, and mast cylinders
- Solid state distributor-less ignition system
- Platinum-tipped spark plugs
- Tilt cylinders with spherical bushings
- Three-section hydraulic control valve
- Insulated engine hood
- Cross-flow, high pass through square fin radiator
- Overhead guard mounted headlights (two) with protective steel guards

- Operator Presence Detection System (PDS)
- Back-up Alarm
- Two-stage air filter with dual-port elevated air intake
- Engine Protection System
- Extended 500-hour service intervals
- Electronic vehicle control featuring on-board diagnostics
- Diagnostics via laptop or handheld computer (PDA)
- Premium display panel including indicators for:
 - Parking brake/brake fluid
 - Engine oil pressure
 - Seat belt
 - Alternator
 - Mast interlock
 - Engine status
 - Engine Protection System
 - Neutral (transmission)
 - Coolant temperature
 - Gasoline fuel level
 - Low LP fuel
 - Digital hour meter
 - Parking brake
 - Transmission oil lamp





Pure Power

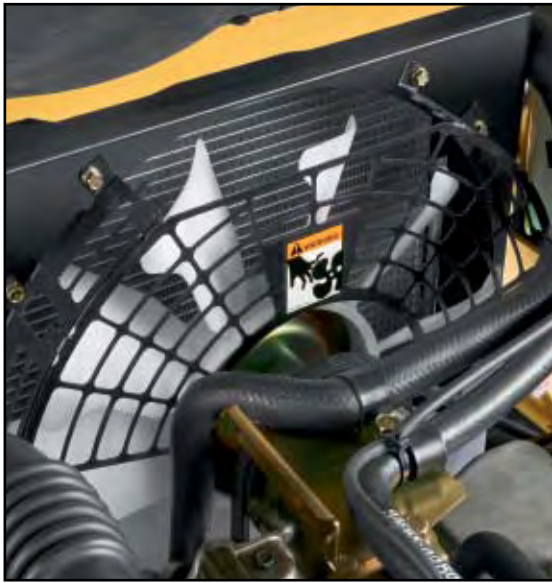
These rugged, compact trucks come with fuel-injected pure**POWER**® engines (gas or LP gas) that provide excellent horsepower and torque in hard-working environments. Drive-by-wire engine throttle control helps improve fuel efficiency and emissions levels while providing responsive acceleration.

If you're looking for exceptional productivity with maximum fuel efficiency, simply engage the Fuel Saver Mode. This softens the initial acceleration of the truck and minimizes fuel consumption by 14 percent while maintaining 95 percent of the truck's overall productivity. Another standard feature, the Ground Speed Control allows you to customize the maximum travel speed of the truck to meet your application requirements without affecting overall performance. The benefits include reduced risk to pedestrian traffic, lower operating costs, enhanced engine wear protection, as well as reduced risk of damaging loads, racks and trucks.

Smart Design

Your Cat lift truck dealer offers application packages and options that can optimize the productivity of your material handling operations. An available integrated sidsifter brings the load closer to the drive axle, allowing better lifting capacity. Other popular options include travel speed control, a swing-down LP tank bracket (single motion), and a service indicator package.





The Peak Of Performance

High dual air-intake vents channel clean air into the engine. The cross-flow, square-fin radiator features an aluminum core for optimum cooling and high pass-through of debris.

Extending Component Life

The hydraulic control valves, transmission, engine, radiator, muffler, steer axle, and mast cylinders have all been rubber mounted to significantly extend life-cycle performance while providing your operator with a quiet, more comfortable ride. A rubber floor mat and added insulation under the engine hood further reduce noise and vibration.

Get On Board For Operator Comfort

A three-way, full-suspension seat (C4000-C6500) reduces shock and vibration to keep operators comfortable throughout their shifts. The memory feature on the tilt steering column makes it easy for operators to return the column to their preferred position after re-entry. These trucks feature three brace points to allow operators to get on and off the truck quickly and securely: an open step, a grab bar, and a seat hip restraint.



Clear View

The sturdy design of the overhead guard meets ASME B56.1 test standards while providing a clear view upward. There is also good visibility forward due to the narrow mast channels and well-positioned cylinder, hose, and chain routings. The forward view is improved by the truck's square fork bar design. The low-profile of the counterweight provides a good view to the rear, even with an LP tank on board.



What You'd Expect

A unitized frame design offers high rigidity.

The rugged steel axles protect steer cylinder and drive components from environmental contaminants and debris. There are even steel guards protecting the forward work lights. A heavy duty counterweight grill is a standard feature on these trucks.

Promoting Fuel Efficiency

The fuel-injected pure**POWER**® engines include tamper-proof fuel management systems that optimize fuel economy, while exceeding EPA requirements for CO, HC, and NOx emissions. Every component in the fuel systems of these powerful trucks meets EPA regulations.





Added Operator Protection

The advanced Cat Lift Trucks operator Presence Detection System (PDS) keeps your operator informed. When your operator leaves the normal seated operating position, the following occurs:

- Transmission is disengaged
- Power disconnects from hydraulic lift and tilt functions
- Parking brake alarm sounds if the operator has not applied the parking brake

o the normal seated
will sound to remind him to



On The Alert

The standard engine protection system automatically reduces performance when engine oil pressure or coolant temperature reaches critical levels to protect your investment. A standard indicator package keeps the operator informed of operating conditions, and a back-up alarm is standard equipment.

Standard Indicator Package

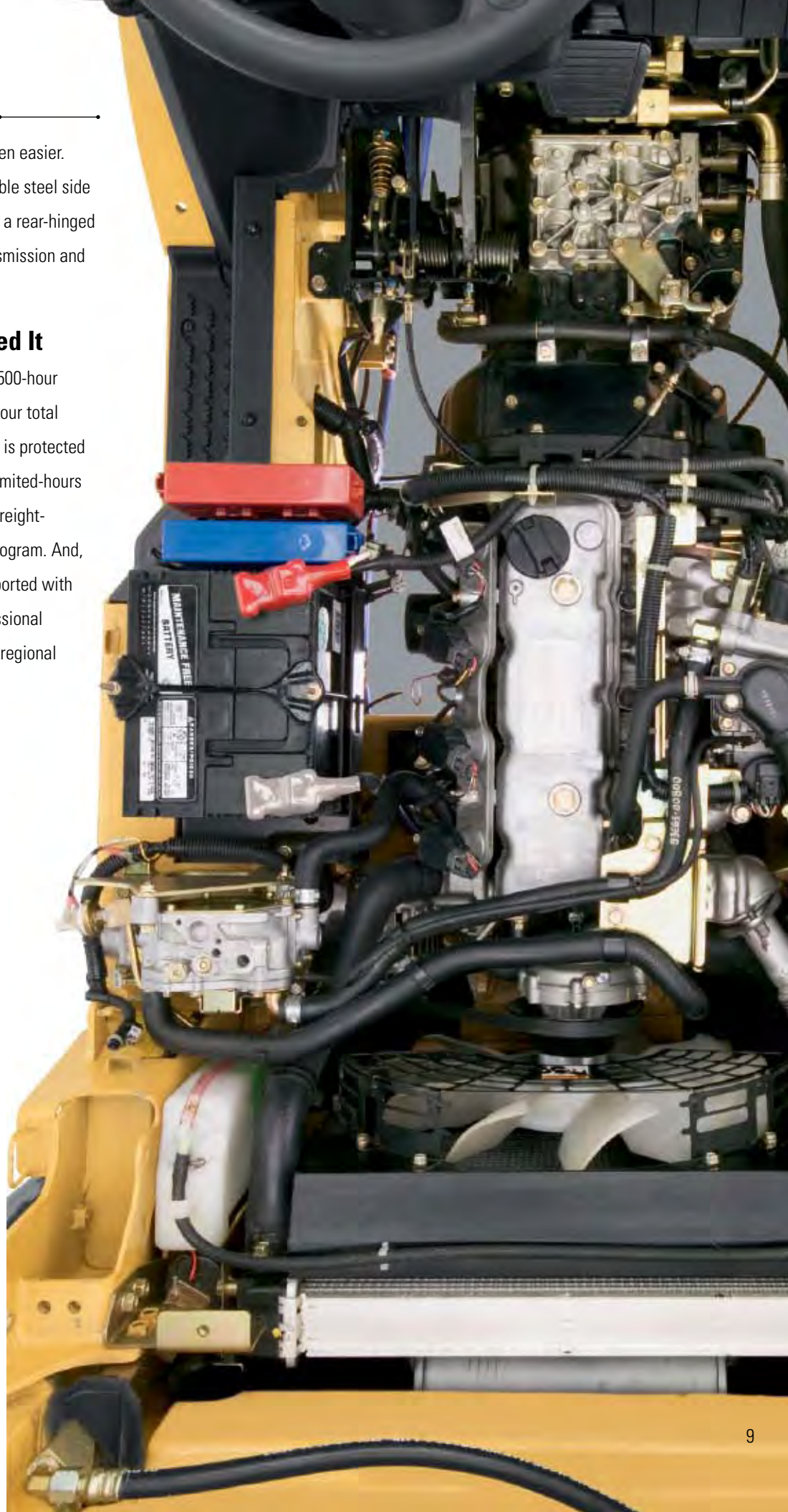
1. Neutral indicator
2. Parking brake reminder/brake fluid level
3. Transmission oil lamp
4. Engine oil pressure
5. Seat belt warning
6. Engine status light
7. Alternator (battery charging)
8. Low LP fuel (standard for LP fuel only)
9. Mast/auxillary hydraulic function interlock
10. Fuel gauge (gasoline only)
11. Hour meter/diagnostic codes
12. Coolant temperature level
13. Engine protection system (not illuminated)

Minimize Downtime

Planned maintenance has never been easier. These trucks feature easily removable steel side covers, a removable floor plate and a rear-hinged hood that offers access to the transmission and engine at the same time.

Support When You Need It

These trucks feature an extended, 500-hour service interval. To further reduce your total cost of ownership, your investment is protected with a Cat Lift Trucks one-year/unlimited-hours warranty and our industry leading freight-inclusive Parts Fast or Parts Free program. And, like all Cat lift trucks, they are supported with a comprehensive package of professional dealer services and our network of regional parts distribution centers.



Ask For A Demonstration

The advantages of the 3,000-6,500 lb capacity cushion tire lift truck become obvious with a demonstration. See strong proof that Cat lift trucks and your Cat lift truck dealer can offer you more productivity-driven benefits for a solid return on your equipment investment. Call for an appointment today.





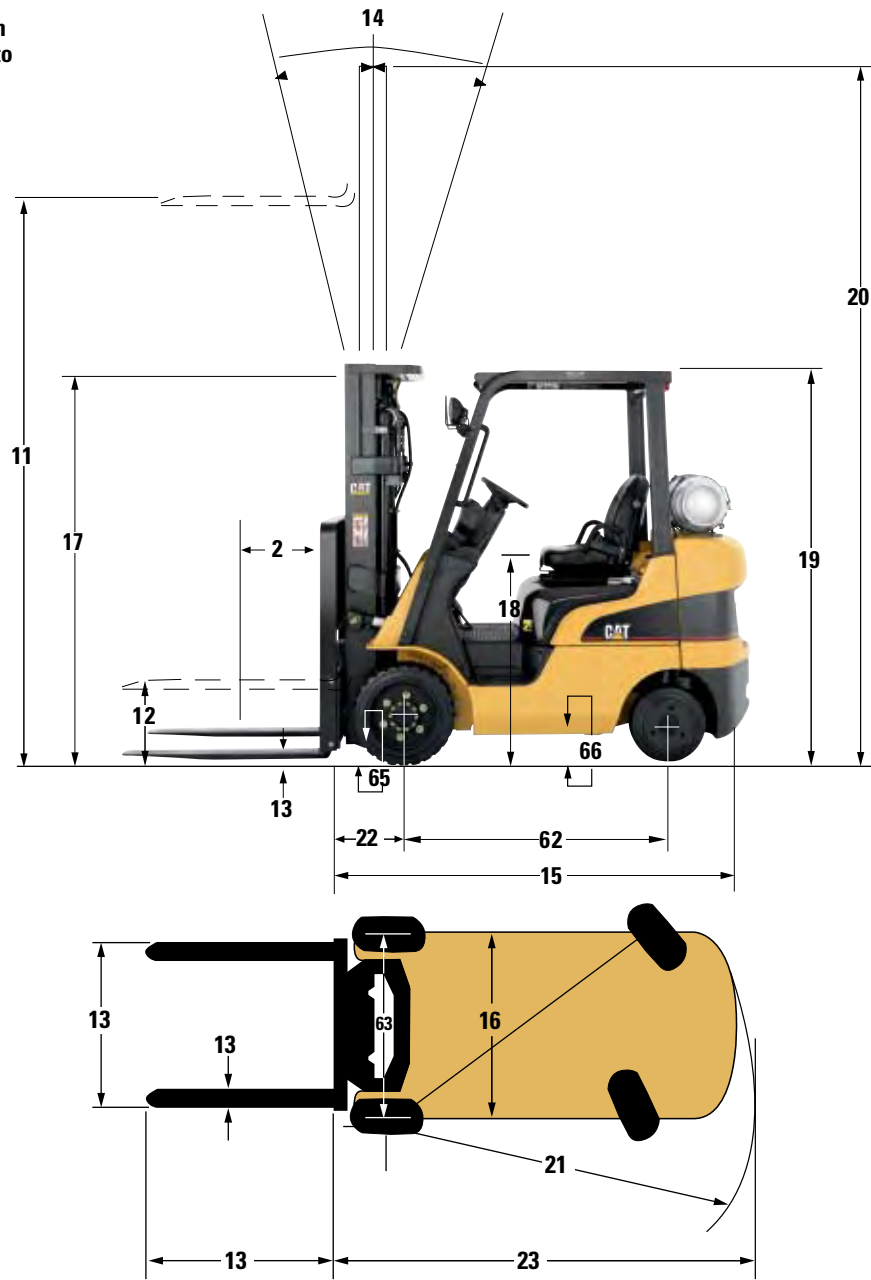
Specifications

C3000						
1	Capacity	At rated load center	lb <i>kg</i>	3,000	1,500	
2		At load center-distance	in <i>mm</i>	24.0	500	
3	Power	Diesel, gasoline, LP gas, electric		LP Gas		
4	Tire type	Cushion or pneumatic		Cushion		
5	Wheels (x = driven)	Number front / rear		2x / 2.0		
DIMENSIONS						
10	Lift	Maximum fork height with rated load	in <i>mm</i>	162	4,120	
11	Lift with standard two-stage mast	Maximum fork height (top of forks)	in <i>mm</i>	131	3,325	
12		Free fork height	in <i>mm</i>	4.5	115	
13	Forks	Thickness x length x width	in <i>mm</i>	1.4 x 42.0 x 4.0	35.0 x 1,070	
	Fork spacing	Out-to-out minimum / maximum	in <i>mm</i>	7.85 / 32.25	200 / 820	
14	Tilt	Forward / backward	deg	5.0° / 10.0°		
15	Overall dimensions	Length to fork face	in <i>mm</i>	82.0	2,085	
16		Width	With standard tires	in <i>mm</i>	38.2	970
			With standard tires, wide-stance	in <i>mm</i>	39.2	995
			With standard tires, wide-axle	in <i>mm</i>	N/A	N/A
17		Height	Mast lowered	in <i>mm</i>	82.9	2,105
			Seat height	in <i>mm</i>	43.3	1,100
	Top of overhead guard		in <i>mm</i>	81.1	2,060	
18		Mast extended	in <i>mm</i>	179.2	4,550	
19						
20						
21	Minimum outside turning radius		in <i>mm</i>	70.0	1,777	
22	Load moment constant		in <i>mm</i>	15.3	390	
23	Minimum aisle - 90° stack - zero clearance w/out load		in <i>mm</i>	85.2	2,165	
PERFORMANCE						
40	Speeds	Travel speed loaded / empty	mph <i>km/h</i>	9.8 / 10.2	15.8 / 16.3	
41		Lift speed loaded / empty	fpm <i>mm/s</i>	121 / 125	617 / 630	
42		Lowering speed loaded / empty	fpm <i>mm/s</i>	99.0 / 99.0	500 / 500	
43	Drawbar pull	Loaded at 1 mph (1.6 km)	lb <i>N</i>	3,760	16,715	
		Loaded maximum	lb <i>N</i>	4,245	18,880	
44	Gradeability	Loaded at 1 mph (1.6 km)	%	37.0		
		Maximum loaded / empty	%	43.0 / 20.0		
WEIGHT						
50	Empty		lb <i>kg</i>	6,067	2,752	
51	Axle load	Without load front / rear	lb <i>kg</i>	2,315 / 3,752	1,050 / 1,700	
		With load front	lb <i>kg</i>	7,831	3,552	
CHASSIS						
60	Tire size	Front, standard	in	18.0 x 6.0 x 12.0 - 1.0 / 8.0		
61		Rear	in	14.0 x 5.0 x 10.0		
62	Wheelbase		in <i>mm</i>	46.9	1,190	
63	Tread width	Front, standard tires	in <i>mm</i>	32.2	820	
		Front, wide-stance tires	in <i>mm</i>	33.2	845	
		Rear, standard tires	in <i>mm</i>	31.8	810	
64						
65	Ground clearance	At lowest point of mast	in <i>mm</i>	2.9	75.0	
		At center of wheelbase	in <i>mm</i>	4.5	116	
66						
67	Brakes	Service	type	Foot, Hydraulic		
		Parking	type	Hand, Mechanical		
68						
POWER TRAIN						
80	Engine	Model		K21		
81		Continuous output (S.A.E. gross)	HP <i>kW</i>	52.0	38.7	
			at rpm	2,400		
82		Maximum torque (S.A.E. gross)	lb-ft <i>Nm/rpm</i>	119	161	
			at rpm	2,000		
83	Cylinder displacement	cu in <i>L</i>	126	2,065		
84	Transmission	Type	Powershift			
85		Number of speeds forward / reverse	1.0 / 1.0			
	Battery		volts	12.0		
HYDRAULICS						
86	Relief pressure	For attachments at auxiliary valve	psi <i>kg/cm²</i>	2,250	158	
88	Hydraulic flow	For attachments at auxiliary valve	gpm <i>lpm</i>	19.0	72.0	

	C3500		CC4000		C4000		C5000	
	3,500	1,800	4,000	2,000	4,000	2,000	5,000	
	24.0	500	24.0	500	24.0	500	24.0	
	LP Gas		LP Gas		Gasoline / LP Gas		Gasoline / LP Gas	
	Cushion		Cushion		Cushion		Cushion	
	2x / 2.0		2x / 2.0		2x / 2.0		2x / 2.0	
	147	3,750	N/A	N/A	170	4,320	170	
	131	3,325	131.1	3,330	131	3,340	131	
	4.5	115	4.7	120	5.1	130	5.3	
x 100	1.4 x 42.0 x 4.0	35.0 x 1,070 x 100	1.6 x 42.0 x 4.0	35.0 x 1,070 x 100	1.6 x 42.0 x 3.9	45.0 x 1,070 x 100	1.6 x 42.0 x 3.9	45.0 x 1,070 x 100
0	7.85 / 32.25	200 / 820	7.85 / 32.25	200 / 820	7.8 / 36.0	200 / 920	7.8 / 36.0	200 / 920
	5.0° / 10.0°		5.0° / 10.0°		5.0° / 9.0°		5.0° / 9.0°	
	83.2	2,115	85.6	2,175	90.5	2,295	93.0	
	38.2	970	40.2	1,020	42.0	1,065	42.0	
	39.2	995	N/A	N/A	44.5	1,130	44.5	
	N/A	N/A	N/A	N/A	N/A	N/A	N/A	
	82.9	2,105	82.9	2,105	83.5	2,110	83.5	
	43.3	1,100	43.3	1,100	43.0	1,090	43.0	
	81.1	2,060	81.1	2,060	82.0	2,075	82.0	
	179.2	4,550	179.2	4,550	180	4,570	180	
	71.2	1,810	72.8	1,850	77.5	1,965	79.5	
	15.3	390	15.9	405	16.3	415	16.5	
	86.5	2,195	88.7	2,255	93.5	2,380	96.0	
4	9.8 / 10.2	15.8 / 16.4	9.8 / 10.2	15.7 / 16.4	11.0 / 11.5	17.5 / 18.0	11.0 / 11.5	17.5 / 18.0
3	121 / 125	617 / 633	121 / 125	617 / 633	125 / 130	640 / 650	125 / 130	640 / 650
0	99.0 / 99.0	500 / 500	99.0 / 99.0	500 / 500	99.0 / 99.0	500 / 500	99.0 / 99.0	500 / 500
	3,745	16,640	3,705	16,475	4,350	19,400	4,325	19,400
	4,230	18,815	4,195	18,645	4,900	21,700	4,850	21,700
	32.0		28.0		41.6		34.8	
	40.0 / 18.0		35.0 / 18.0		47.6 / 27.7		39.6 / 22.8	
	6,449	2,925	7,000	3,180	7,360	3,338	8,157	3,338
702	2,185 / 4,264	991 / 1,934	2,075 / 4,935	940 / 2,238	3,050 / 4,310	1,384 / 1,954	2,833 / 5,324	1,200 / 1,954
	8,618	3,909	9,482	4,300	9,975	4,525	11,488	4,525
	18.0 x 6.0 x 12.0 - 1.0 / 8.0		18.0 x 7.0 x 12.0 - 1.0 / 8.0		21.0 x 7.0 x 15.0		21.0 x 7.0 x 15.0	
	14.0 x 5.0 x 10.0		14.0 x 5.0 x 10.0		16.0 x 6.0 x 10.0 - 1.0 / 2.0		16.0 x 6.0 x 10.0 - 1.0 / 2.0	
	46.9	1,190	46.9	1,190	55.0	1,400	55.0	1,400
	32.2	820	33.2	845	35.0	890	35.0	890
	33.2	845	N/A	N/A	37.5	950	37.5	950
	31.8	810	31.8	810	35.0	890	35.0	890
	2.9	75.0	2.9	75.0	3.1	80.0	3.1	80.0
	4.5	116	4.5	116	5.4	139	5.4	139
	Foot, Hydraulic		Foot, Hydraulic		Foot, Hydraulic		Foot, Hydraulic	
	Hand, Mechanical		Hand, Mechanical		Hand, Mechanical		Hand, Mechanical	
	K21		K21		K25		K25	
	52.0	38.7	52.0	38.7	60.0	45.0	60.0	45.0
	2,400		2,400		2,700		2,700	
	119	161	119	161	136	185	136	185
	2,000		2,000		1,600		1,600	
	126	2,065	126	2,065	152	2.5	152	2.5
	Powershift		Powershift		Powershift		Powershift	
	1.0 / 1.0		1.0 / 1.0		1.0 / 1.0		1.0 / 1.0	
	12.0		12.0		12.0		12.0	
	2,250	158	2,250	158	2,250	158	2,250	158
	19.0	72.0	19.0	72.0	23.5	89.1	23.5	89.1

	C5500		C6000		C6500	
2,500	5,500	2,800	6,000	3,000	6,500	3,300
500	24.0	500	24.0	500	24.0	500
s	Gasoline / LP Gas		Gasoline / LP Gas		Gasoline / LP Gas	
	Cushion		Cushion		Cushion	
	2x / 2.0		2x / 2.0		2x / 2.0	
4,320	186	4,725	186	4,725	186	4,725
3,345	130	3,310	130	3,310	131	3,340
135	5.3	135	5.3	135	5.3	135
1,070 x 100	1.8 x 42.0 x 4.9	45.0 x 1,070 x 125	1.8 x 42.0 x 4.9	45.0 x 1,070 x 125	1.8 x 42.0 x 4.9	45.0 x 1,070 x 125
00 / 920	8.0 / 38.0	200 / 960	8.0 / 38.0	200 / 960	8.0 / 38.0	200 / 960
	5.0° / 6.0°		5.0° / 6.0°		5.0° / 6.0°	
2,360	95.0	2,415	96.5	2,450	97.5	2,475
1,065	44.0	1,115	44.0	1,115	44.0	1,115
1,130	45.5	1,155	45.5	1,155	45.5	1,155
N/A	N/A	N/A	N/A	N/A	N/A	N/A
2,110	83.5	2,110	83.5	2,110	88.0	2,230
1,090	43.0	1,090	43.0	1,090	43.0	1,090
2,075	82.0	2,075	82.0	2,075	82.0	2,075
4,570	179	4,540	179	4,540	180	4,570
2,020	81.5	2,065	82.5	2,095	83.5	2,125
420	17.2	435	17.2	435	17.2	435
2,440	98.5	2,500	99.5	2,530	100.5	2,560
7.5 / 18.0	10.0 / 10.5	16.5 / 17.0	10.0 / 10.5	16.5 / 17.0	10.0 / 10.5	16.5 / 17.0
40 / 650	105 / 105	530 / 540	105 / 105	530 / 540	105 / 105	530 / 540
00 / 500	98.0 / 99.0	500 / 500	98 / 99	500 / 500	98 / 99	500 / 500
19,200	4,525	20,100	4,500	20,000	4,500	19,900
21,600	5,125	22,700	5,100	22,600	5,075	22,600
	32.7		30.4		28.3	
	37.5 / 21.9		34.8 / 19.6		28.3 / 18.4	
3,700	9,048	4,104	9,480	4,300	9,938	4,508
85 / 2,415	3,045 / 6,003	1,381 / 2,723	2,897 / 6,583	1,314 / 2,986	2,875 / 7,064	1,304 / 3,204
5,211	12,652	5,739	13,378	6,068	14,229	6,454
0	21.0 x 8.0 x 15.0		21.0 x 8.0 x 15.0		21.0 x 8.0 x 15.0	
0 / 2.0	16.0 x 6.0 x 10.0 - 1.0 / 2.0		16.0 x 6.0 x 10.0 - 1.0 / 2.0		16.0 x 6.0 x 10.0 - 1.0 / 2.0	
1,400	55.0	1,400	55.0	1,400	55.0	1,400
886.4	36.0	911.8	36.0	911.8	36.0	911.8
950	37.5	952	37.5	952	37.5	952
890	35.0	890	35.0	890	35.0	890
80.0	3.1	80.0	3.1	80.0	3.1	80.0
139	5.4	139	5.4	139	5.4	139
	Foot, Hydraulic		Foot, Hydraulic		Foot, Hydraulic	
al	Hand, Mechanical		Hand, Mechanical		Hand, Mechanical	
	K25		K25		K25	
45.0	60.0	45.0	60.0	45.0	60.0	45.0
	2,700		2,700		2,700	
185	136	185	136	185	136	185
	1,600		1,600		1,600	
2.5	152	2.5	152	2.5	152	2.5
	Powershift		Powershift		Powershift	
	1.0 / 1.0		1.0 / 1.0		1.0 / 1.0	
	12.0		12.0		12.0	
158	2,250	158	2,250	158	2,250	158
89.1	23.5	89.1	23.5	89.1	23.5	89.1

Call-out numbers shown in diagram correspond to the first column of the specifications chart.



SAFETY STANDARDS

These trucks meet American-Society of Mechanical Engineers (ASME) B56.1, part III Safety Standards for powered industrial trucks.

UL-Classified by Underwriters Laboratories, Inc., as to fire and electric shock hazard only. Types G and LP standard. Types GS and LPS optional.

Users should be aware of, and adhere to, applicable codes and regulations regarding operator training, use, operation and maintenance of powered industrial trucks, including:

- ASME B56.1, part II.
- NFPA 505, fire safety standard for powered industrial trucks - type designations, areas of use, maintenance and operation.
- Occupational Safety and Health Administration (OSHA) regulations that may apply.

Specifications, equipment, technical data, photos and illustrations based on information at time of printing and subject to change without notice. Some products may be shown with optional equipment.

NOTE: The specifications assume the use of drive axles, tires and tilt angles specified. Any modification to specifications, or any other combination of specifications made after the shipment of the truck, requires prior written approval from Mitsubishi Caterpillar Forklift America Inc. ("MCFA"). (See ASME B56.1 Part II 4.2.) Also be advised that overall operating visibility may be affected by the mast configuration and mast options of your truck. Therefore, you may need to add ancillary [auxiliary] devices or modify your operating practices. Consult your dealer for further information.

Quality

Reliability

Customer Service

Everything
You've Come To Expect.



Unlimited Hours Warranty covers parts and labor for one year, regardless of service hours.

Parts Fast or Parts Free Guarantee ensures next-business-day availability (at dealer's location) of parts for all lift trucks or they are free, including freight.

Free Loaner Service Guarantee provides a lift truck until the repair is done if your lift truck is not repaired right the first time and within the quoted time.

Contact your Cat lift truck dealer for complete terms and conditions of these guarantees.

Cat Lift Trucks offers an extensive range of products and services. Your Cat lift truck dealer can provide options and additional visual and audible warning devices geared toward your specific applications and requirements. Operator training programs are also available to boost productivity and to help reduce the potential for product damage and personal injury.

Your Cat lift truck dealer can also provide a variety of financing and leasing options to suit the needs of your business.



1-800-CAT-LIFT
www.cat-lift.com